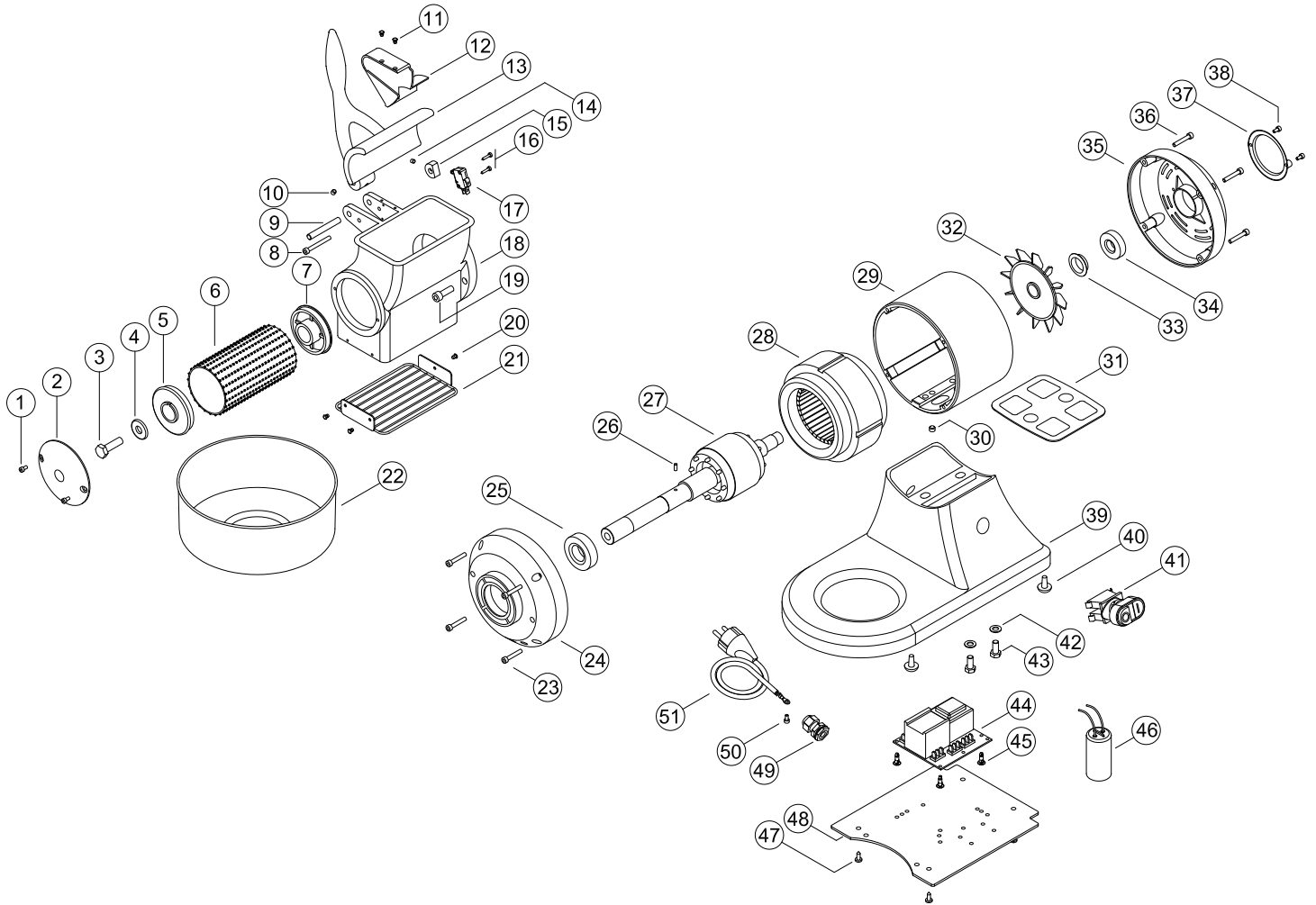


Parts Breakdown

Model GR-IT-0746-M 11404



Parts Breakdown

Model GR-IT-0746-M 11404

Item No.	Description	Position	Item No.	Description	Position	Item No.	Description	Position
15351	Screw 4x8 for 11404	1	15430	Drum Casing for 11404	18	15380	Back Motor Cover for 11404	35
15418	Plastic Front Cover 100mm for 11404	2	15410	Screw 8x22 for 11404	19	15353	Screw 5x30 for 11404	36
15419	Screw 10x35 for 11404	3	15370	Rivet for 11404	20	15352	Disc Locking ABS DA 80mm for 11404	37
15420	Washer 10x30x2 for 11404	4	15431	Guard for 11404	21	15351	Screw 4x8 for 11404	38
17885	Drum Caps/Flange for Drums for 11404	5	17243	Pan for 11404	22	15439	Base for 11404	39
17823	Drum for 11404	6	15353	Screw 5x30 for 11404	23	42904	Rubber Foot for 11404	40
17885	Drum Caps/Flange for Drums for 11404	7	15433	Motor Cover - Front for 11404	24	15409	Switch for 11404	41
15423	Screw 5x45 for 11404	8	15434	Bearing 6205 2RS for 11404	25	70181	Washer 8x16x1.5 for 11404	42
15424	Pin 8x57 for 11404	9	17244	Key Lock 4x10mm for 11404	26	15440	Screw 8x25 for 11404	43
68924	Bead 6x6 for 11404	10	AD421	Rotor Shaft for 11404	27	17702	Transformer/Power Circuit Board 110/60 for 11404	44
15370	Rivet for 11404	11	15468	Stator 110V/60Hz for 11404	28	AD427	Feet for Board for 11404	45
17700	Micro Switch Cover for 11404	12	AD422	Engine Housing Open Banded for 11404	29	18657	Capacitor uF 40 for 11404	46
15425	Aluminum Lever for 11404	13	AD423	Wheat 8x6 for 11404	30	15412	Screw 4.8x12 for 11404	47
72905	Wheat 5x6 for 11404	14	78010	Gasket Base for 11404	31	15411	Rubber Base Cover for 11404	48
15427	Bushing for 11404	15	15415	Fan for 11404	32	15437	Plug PG9/11 for 11404	49
17240	Screw 2.8x15 for 11404	16	15414	Ring for 11404	33	15351	Screw 4x8 for 11404	50
17241	Microswitch for 11404	17	15381	Bearing 6203 ZZ for 11404	34	78013	Cable with Plug Mod. SCHUKO for 11404	51